

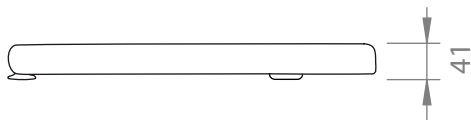
## A94.65

### SWIRLFLUSH TOILET SUITE

4 STAR 4.5/3Lpm WELS RATING

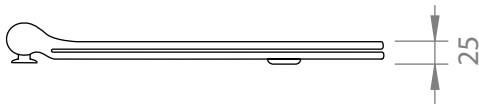
Toilet to be installed by a licenced plumber in accordance with AS/NZS 3500.1 and AS/NZS 3500.2  
**IMPORTANT** - ensure backflow prevention conforms with the requirements set out in AS/NZS 3500.1

COMES WITH:  
STANDARD SOFT-CLOSE SEAT



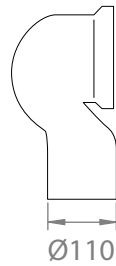
## A94.65.99

SLIM SOFT-CLOSE SEAT

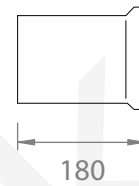


FLUSHING CONNECTION (OPTIONAL)

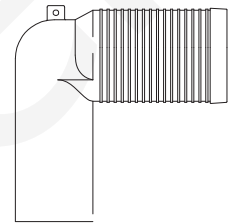
S-TRAP



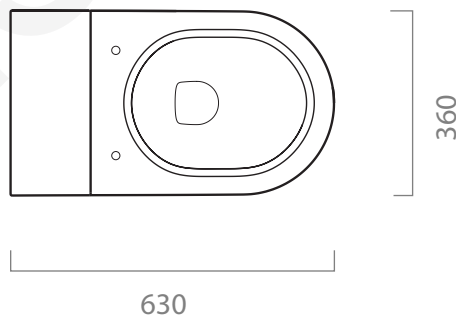
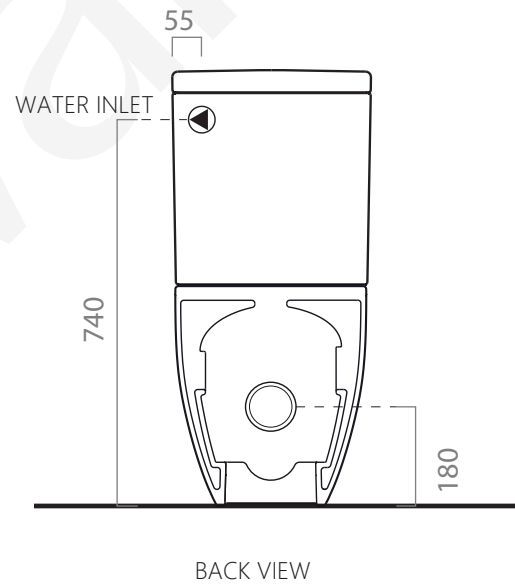
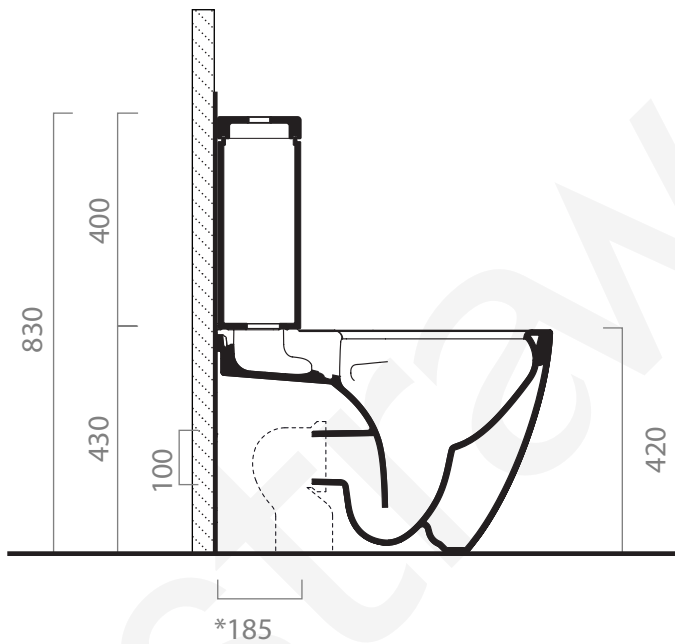
PVC PIPE  
(SUPPLIED BY OTHERS)



T-SHAPE VARIO BEND  
(SOLD SEPARATELY)



55 - 275mm



## A94.65

### SWIRLFLUSH TOILET SUITE

4 STAR 4.5/3Lpm WELS RATING

<p>Outlet to wall / place the pipes</p>	<p>Outlet to floor / place the pipes</p>	<p>Fasten the pipen elbow</p>
<p>Place the black rubber seal</p>	<p>Fix the cistern on the WC</p>	<p>Put the WC temporarily in place</p>
<p>Mark the position of fixing and the base of WC</p>	<p>Install the fixing on floor</p>	<p>Place the WC and connect the inlet valve</p>
<p>Fix the WC on the floor. Do not use cement</p>	<p>Screw in the flush bottom</p>	<p>Install the seat cover</p>