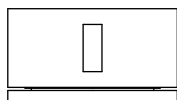
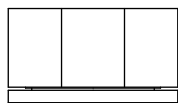


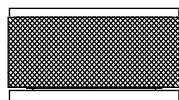
A81.48.VC

VOLUME CONTROL WALL MIXER

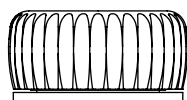
STANDARD WITH INDENT HANDLE
OTHER HANDLE OPTIONS



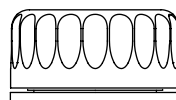
.V2 PIN HANDLE



.V5 KNURLED



.V6 REEDED

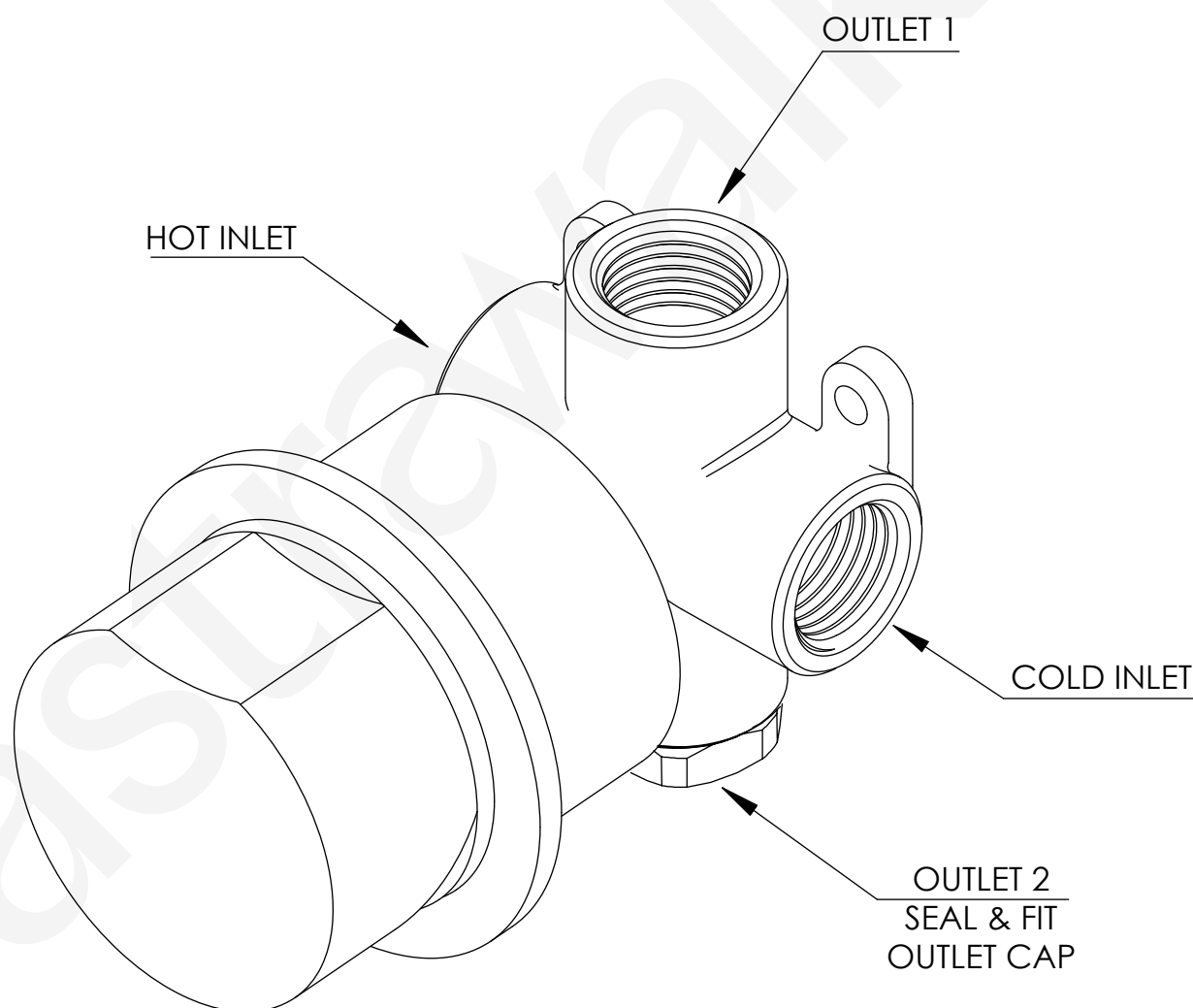


.V7 FLUTED



.V8 ROUND DIAL

- Tapware to be installed by a licenced plumber in accordance with AS/NZS 3500:2003
- Recommended working water pressure 150 - 500kPa
- Maximum water temperature is 65 deg°C
- Ensure only parallel thread fittings are used (not tapered thread)
- After completing the installation check function of tapware and ensure no water leaks.

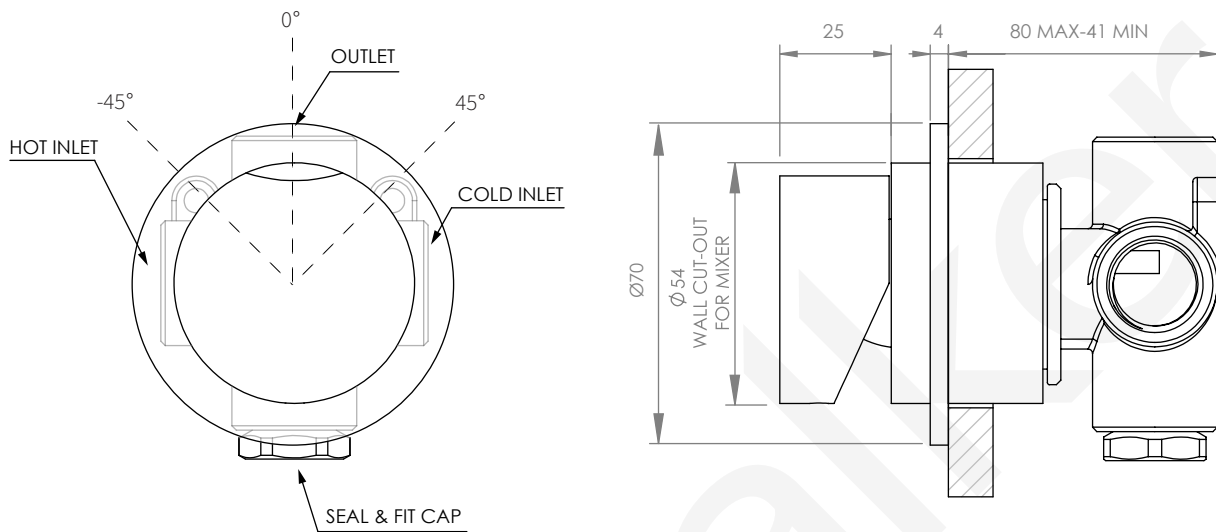


A81.48.VC

VOLUME CONTROL WALL MIXER

Install the mixer supplied to a secure nogging at the correct depth as shown in the drawing below. Ensure the mixer is square and parallel between the wall studs.

To allow the tapware to fit correctly the thickness of the finished wall surface must be calculated prior to 'rough-in'.



When installing mixer ensure that it is positioned the correct way (as per markings on the body) with hot water on the left and cold water on the right when viewed from an operating position. The screwed plug can be fitted to the top or bottom outlet. Connect mixer using union connections (not nylon olives).

Ensure water lines are completely flushed prior to connecting the mixer.

Prior to fit off ensure the correct size cut-out around the mixer has been achieved.

Secure the cover flange for the mixer to the inwall body and ensure this is sealed and water-tight. Fit handle and secure grub screw using an Allen Key.

