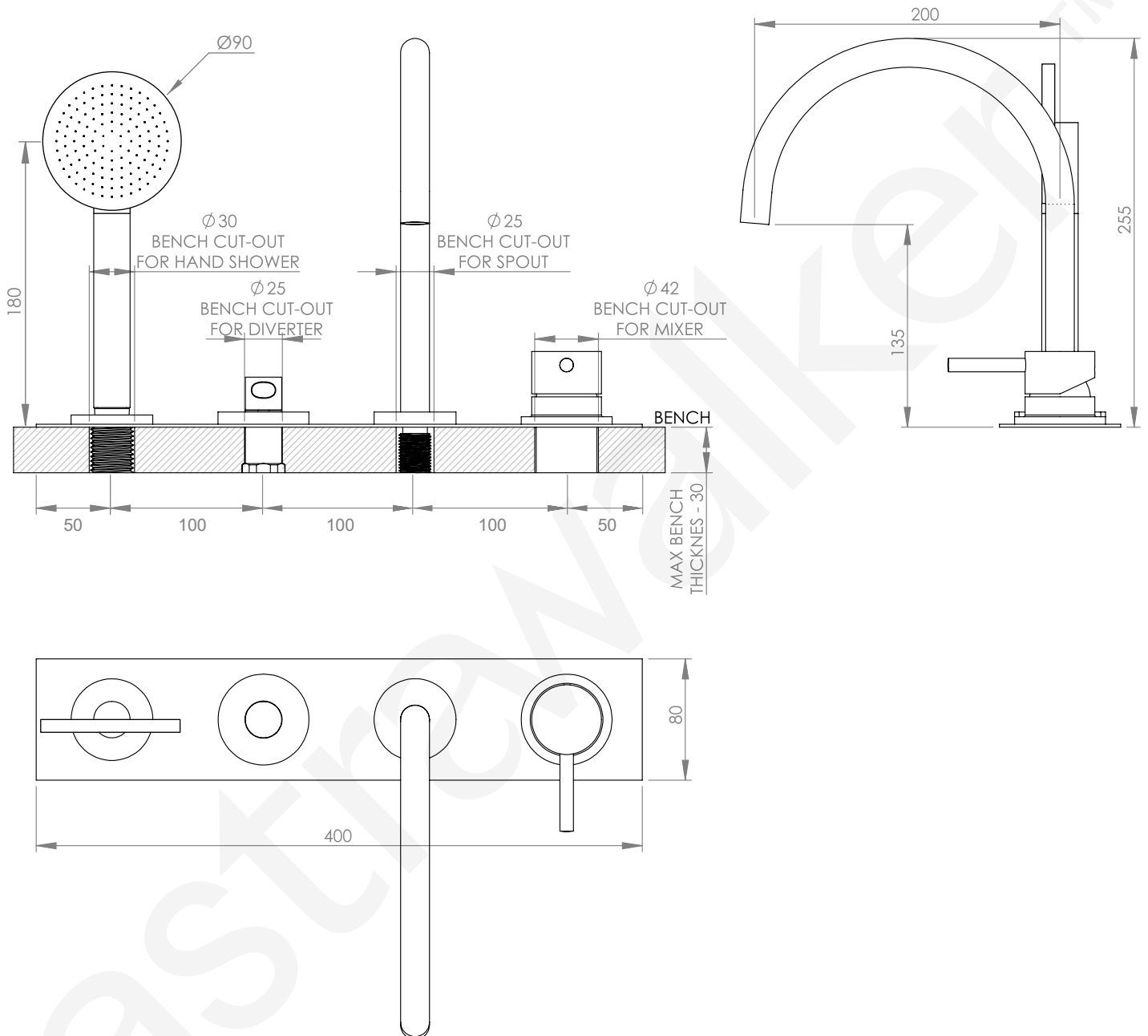


A69.07.48.42.V5.M

HOB SET WITH HAND SHOWER, DIVERTER & MIXER

3 STAR/9Lpm WELS RATING - HAND SHOWER ONLY



- NOTE:
- ACCESS PANEL REQUIRED
 - ENSURE UNDERNEATH OF HOBSET IS WATERPROOF

A69.07.48.42.V5.M

HOB SET WITH HAND SHOWER, DIVERTER & MIXER

3 STAR/9Lpm WELS RATING - HAND SHOWER ONLY

