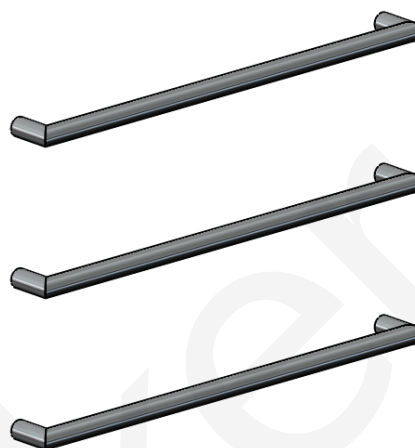
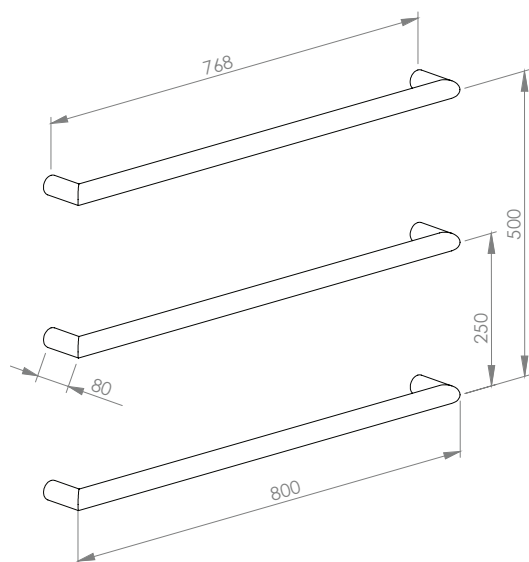


A69.58.V2.H.800

800mm HEATED TOWEL RAIL

**FEATURES**

Low Voltage	Low voltage safe installation in ANY zone
Easy Install	ALL wall types, pre-wiring IS required
Any leg cable	Cable can enter left or right

SPECIFICATIONS

Recommended use	Residential and commercial
Materials	Stainless steel 304 grade or Brass
Technology	Dry element (no leaks)
Power entry	ANY leg, left or right
Voltage	12V AC safety isolating transformer
Wattage	19W
Standards	AS / NZS : 60335.2.43

DISCLAIMER Products in this specification manual must by regulation be installed by a licensed and registered trade people. The manufacturer / distributor reserves the right to vary specifications or delete models from their range without prior notification. Dimesnions and set-outs listed are correct at time of publication however the maufacturer / distributor take no responsibility for printing errors

A69.58.V2.H.800

800mm HEATED TOWEL RAIL

SAFETY

This appliance is not intended for use by persons (including children) with reduced physical, sensory or mental capabilities, or lack of experience and knowledge, unless they have been given supervision or instruction concerning use of the appliance by a person responsible for their safety. Children should be supervised to ensure that they do not play with the appliance.

WARNING: In order to avoid a hazard for very young children, this appliance should be installed so that the lowest heated rail is at least 600mm above the floor.

ELECTRICAL

- Must be installed by a registered electrician.
- The 12V 'safety isolating' transformer supplied must be located in a dry accessible location (do not cover with insulation).
- Distance from transformer to towel rail must be less than 2 metres (see FAQ's).
- Typical transformer locations include: Ceiling cavity / Wall cavity (behind switch plate) / Cupboard.
- Means for disconnection must be incorporated in the fixed wiring in accordance with wiring guidelines AS/NZS 3000:2000.
- The waterproof wirenut connectors provide an IPX7 rating.
- The towel rail may be installed in wet area electrical zones 1, 2 & 3 as specified in AS/NZS 3000:2000.
- Manufactured and tested to AS/NZS 60335.2.43.
- Minimum 50 mm clearance to surrounding surfaces.`

1) WALL PREPARATION

- ICON heated towel rails may be fixed to ANY type of wall, timber stud, steel stud or masonry (solid or cavity).
- Stud walls (timber or steel) require timber nogs at the correct position for all legs. See table 1.0 for fixing dimensions.
- If the precise position can't be determined early in the job, consider nogging with 18mm construction ply, covering a larger area.
- Be aware that attempting to fix into plasterboard or cement sheeting alone is NOT recommended. Plasterboard (in particular) will not hold long term.

2) PRE WIRING

- First determine which side (left or right) you would like the cable to enter the heated towel rail.
- In general, the leg that is closest to the transformer and farthest from wet areas. eg. top left leg if the transformer is in the ceiling and shower is to the right.
- For stud walls drill a 10mm hole in the noggin for the low voltage wiring supplied at the leg position chosen. Typical layout see Table 1.0 for fixing dimensions.
- For masonry walls using an angle grinder and masonry cutting disc, cut a 25mm deep slot from the cable leg to the eventual location of the transformer, see Fig 2.0.
- Place the supplied low voltage wiring in the slot created and render overdirectly.
- Black polytube is supplied to locate the wire in the correct position. Conduit may also be used but is not essential.
- Low voltage wiring tails should protrude from the finished lined wall approx 150mm to allow for trimming.

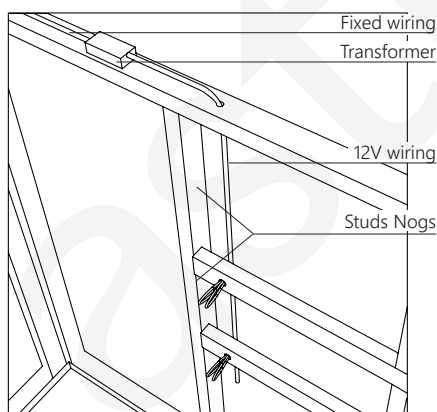


FIGURE 1

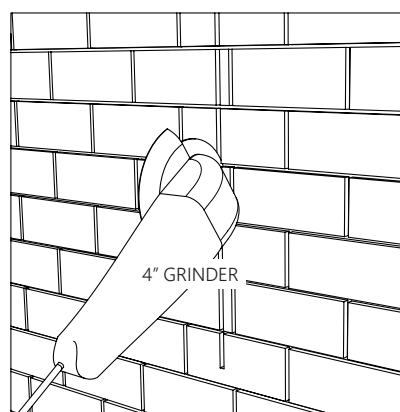


FIGURE 2

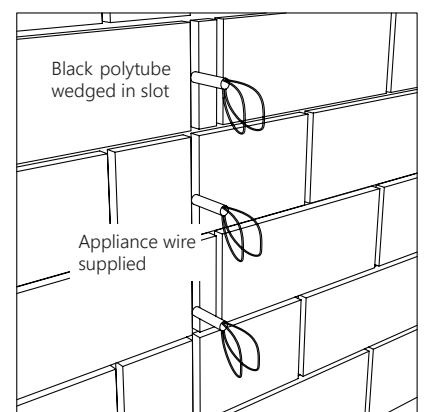


FIGURE 3

A69.58.V2.H.800

800mm HEATED TOWEL RAIL

3) TOWEL RAIL FIXING / CONNECTION

- Disconnect either the left or right hand wirenut. This will depend on which side you want the wiring connection to be made in, decided in step 1.
- If a wirenut is accidentally removed, it may be reconnected with the spare waterproof wirenut connector provided. Waterproof wirenuts **MUST NOT BE REUSED**.
- Fit the round bushes to the wall using the supplied long screws.
- Use the towel rail as a guide to determine the correct position for the screws, make sure that the rail will be level.
- Make the electrical connection to the towel rail using the waterproof wirenut connectors provided. See Fig 6.0
- The connectors and excess wiring should be pushed back into the leg of the towel rail and/or into the wall.
- If there is a concern that water may enter into the wall cavity, neutral cure silicone sealant may be applied around the cable where it exits the wall lining.
- Finally, fix the towel rail in position using small stainless steel grub screws. See Fig 5.0

4) SWITCH

- The towel rail must have a switch in the bathroom that can be identified as the towel rail switch. This is typically a separate switch mechanism on the light switch plate for the bathroom. eg. 3 gang switch plate – lights – extractor – towel rail.

5) CORRECT USE OF WATERPROOF WIRENUTS

- Strip wires 12.7mm (1/2").
- Align any frayed strands or conductors.
- Pre-twisting unnecessary. Place stripped wires together with ends of insulation even.
- Twist connector onto wires pushing firmly until hand tight. Do not over torque.
- Wipe sealant in and around conductors and connector opening while tightening. **DO NOT REUSE**

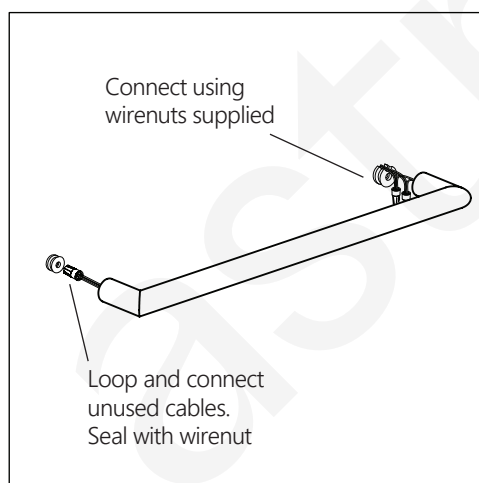


FIGURE 4

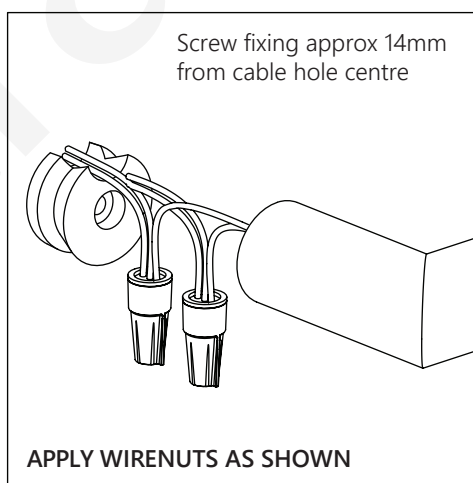


FIGURE 5

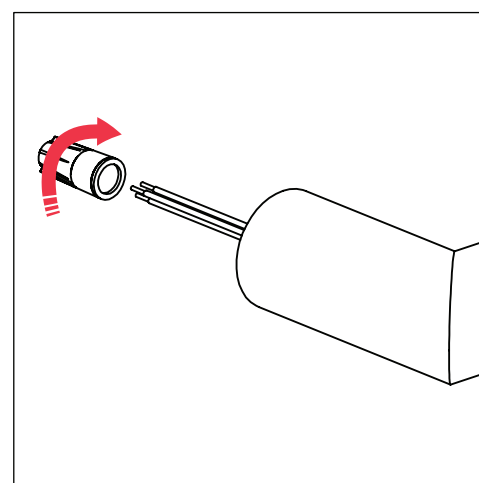


FIGURE 6