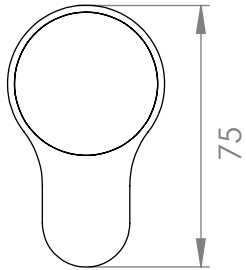
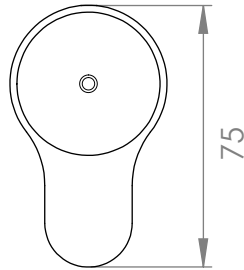


A82.41
DIVERTER
NON-MIXING

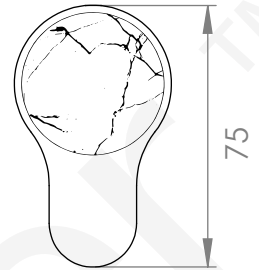
STANDARD WITH METAL INSERT
OTHER HANDLE OPTIONS



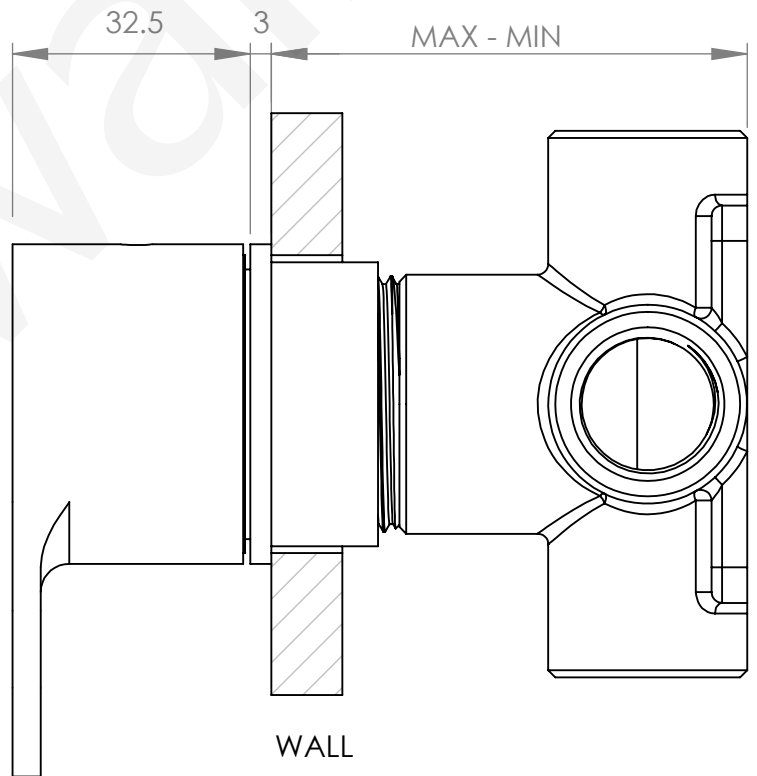
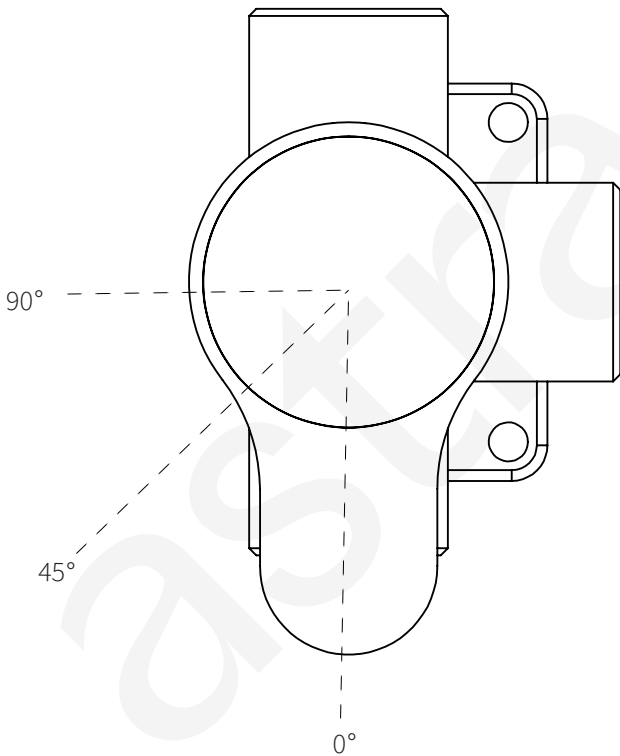
METAL INSERT



.V2 WITHOUT INSERT



.V3 WHITE CARRARA MARBLE



Ø34 CUT-OUT FOR TAPS