

A69.53.V2

IN WALL SOAP DISPENSER

Rough-In

1. Drill 16mm hole on centre of desired location.
2. Fix supplied 1/2" BSP x 60mm flanged nipple to brickwork, stud or frame before tiling.
3. If access behind wall is going to be difficult then plastic tube supplied should be installed from bottle to and through the nipple bracket leaving 200mm length past the nipple bracket.
4. Tape (electrical tape) the thread of the nipple and hose to protect them.
5. It is recommended that the plastic supply tube be run through 25mm conduit to protect the hose and reduce the risk of kinks, this will also make for ease in replacing the tube should this be necessary in the future. Conduit should be clipped to back of the studs or wall.

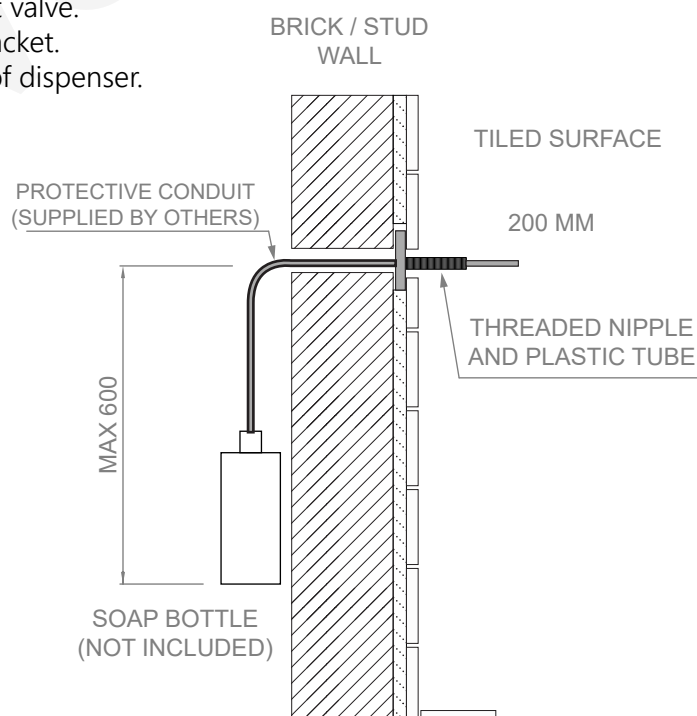
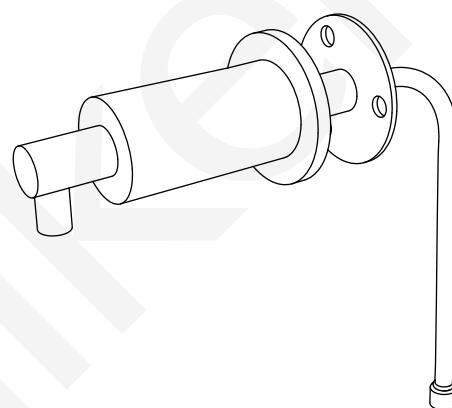
Planning Mounting Location

1. You should have a wall cavity which will allow the supply hose (plastic tube) to be serviced.
2. Soap bottle needs to be easily accessible for filling regularly when room is cleaned.
3. Bottles need to be as close as possible to dispenser (optimum distance is within 1m horizontally and 600mm vertically).
4. Supply hose needs to be supported so as not to sag or kink and should have a fall all the way to the supply bottle.

Fit-Out (after tiling)

1. Remove tape from thread of nipple and plastic tube.
 2. Cut 1/2" BSP so that 20mm is showing past the tiled / finished wall surface.
 3. Install soap bottle and fill.
 4. Place plastic tube in through the top of bottle. Re-fit foot valve.
 5. Suck on hose to bring soap to near top hose close to bracket.
 6. Cut off surplus hose and push onto white plastic sleeve of dispenser.
- Use 'O' rings to secure hose to white sleeve.
7. Screw the dispenser onto 1/2" BSP thread back to tiles. Nozzle should be pointing down.
 8. Tighten two stainless steel grub screws in un-chromed section adjacent to finished wall surface.
 9. Slip trim flange back to wall.
 10. Slowly pump air out and soap through system.
 11. Check plastic tube is correct length at bottle end.

To ensure soap does not harden within the pump, always refill the soap dispenser before totally empty. Do not leave the dispenser or unused for any length of time without thoroughly rinsing through with hot water (70°C max). Hardened soap remaining in the dispenser may cause damage to the pump mechanism.



A69.53.V2

IN WALL SOAP DISPENSER

Liquid Soap Specification

Never use soaps with grit or abrasives in them.

Soap Solution shall be dispensed in a liquid form and should be:

- (a) vegetable oil based;
- (b) only use PH-neutral soap. PH value 6.5 - 7.5
- (c) anhydrous soap concentration range : 10-15%;
- (d) specific gravity range: 1.0 - 1.1;
- (e) viscosity range : max 2,000cps centerpoise;
- (f) soap shall contain a humectant (anti coagulant);
- (g) soap shall be perfumed or non perfumed.
- (h) soap solution shall be dispensed in a liquid form (foaming not suitable).

IMPORTANT: IF THE SOAP DOES NOT MEET THIS SPECIFICATION, THE WARRANTY WILL BE VOID.

Recommended Soap : Astra Walker Premium Hand & Body Soap

Note : Never use soaps with grit or abrasives in them.

Cleaning

Chrome : wipe with warm water and a mild soap.

Rinse and dry with a soft cloth.

Hose : Pump through warm water.

