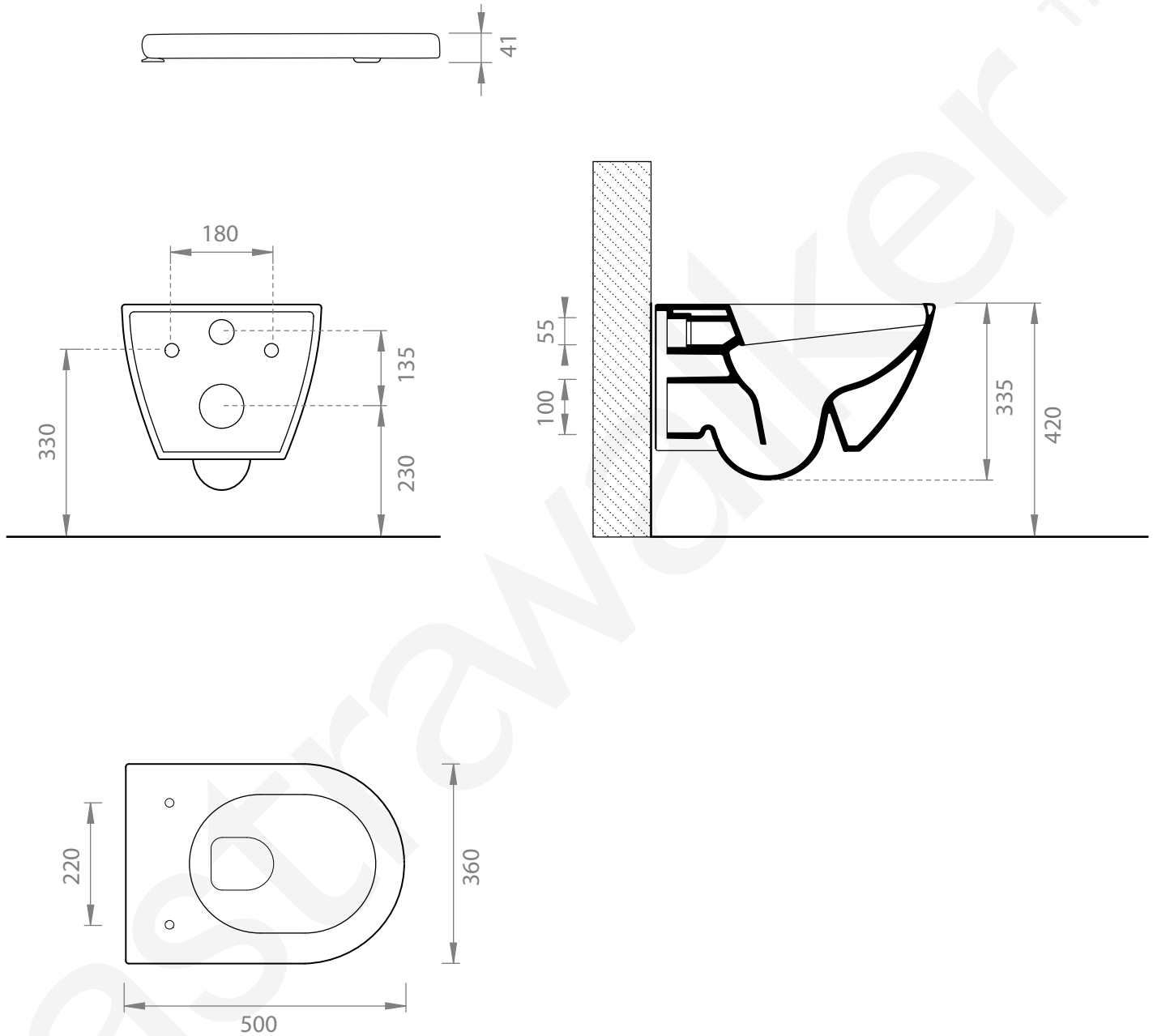


A94.67.02

WALL MOUNTED SWIRLFLUSH TOILET PAN

4 STAR/4.5Lpm WELS RATING or 4 STAR/3Lpm WELS RATING

COMES WITH:
STANDARD SOFT-CLOSE SEAT



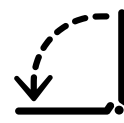
swirlflush®



extraglaze®



quickrelease



softclose