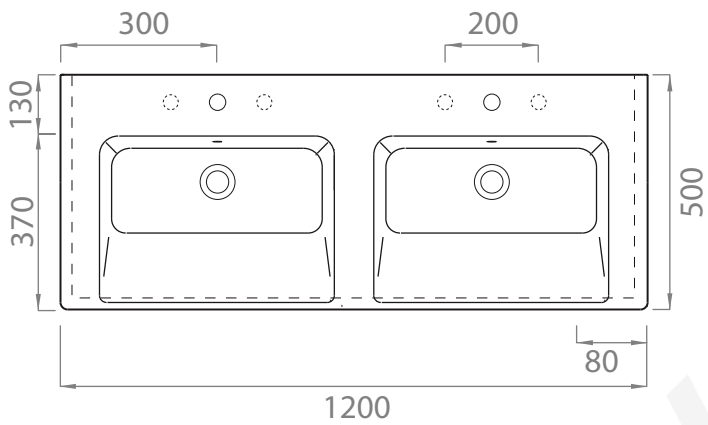


A93.91.125

WALL MOUNTED OR SEMI-INSERT WASHBASIN
SINGLE OR NO TAP HOLE, WITH OVERFLOW

AVAILABLE AS:

- A93.91.125.0** 0 TAP HOLE
- A94.91.125.1** 1 TAP HOLE
- A94.91.125.3** 3 TAP HOLE



FURNITURE CUT FOR
BUILT-IN BASIN INSTALLATION

