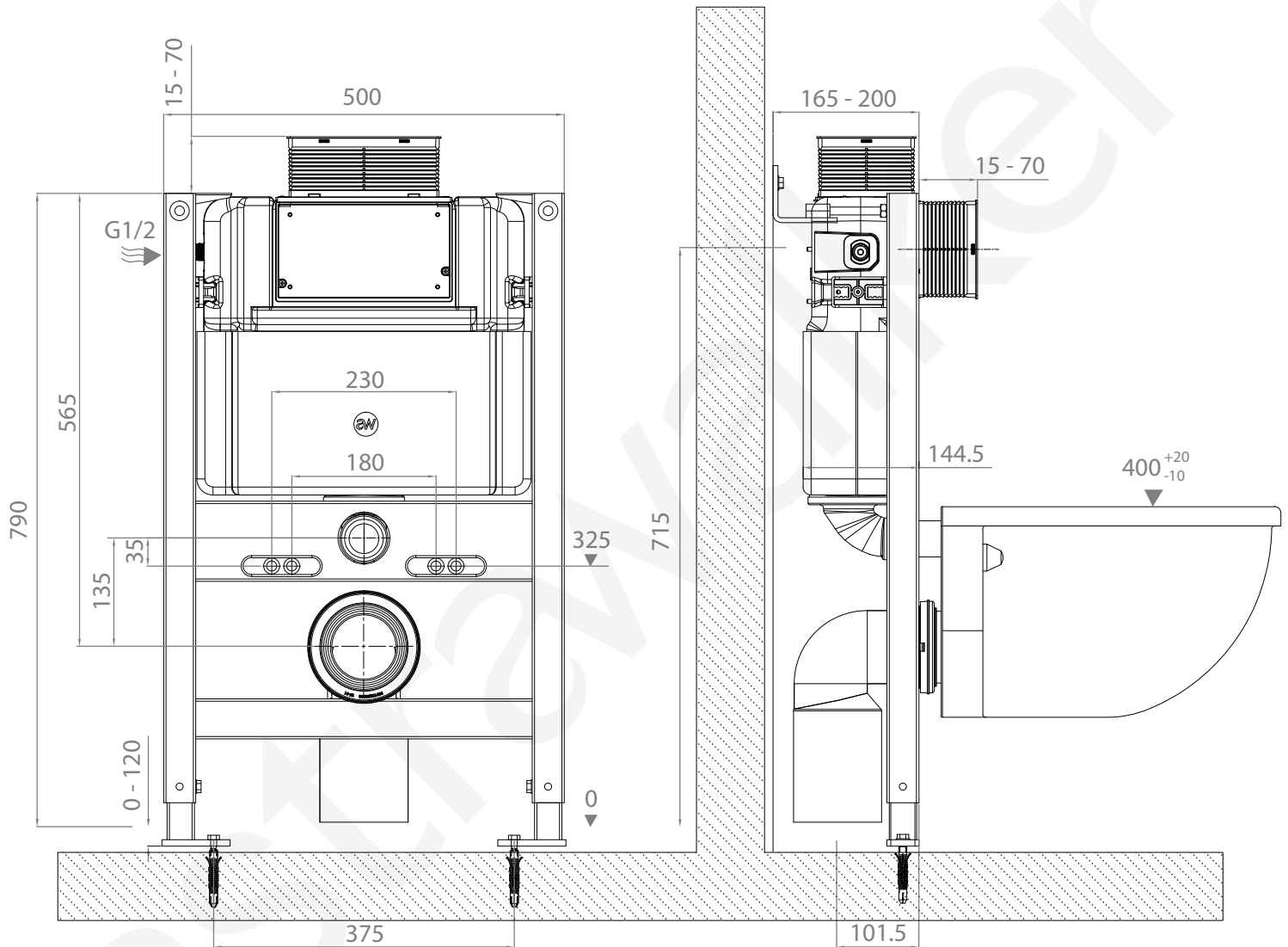


A99.41

IN-WALL CISTERN WITH FRAME

4 STAR/3.2Lpm AVERAGE FLUSH WELS RATING

TO SUIT WALL HUNG TOILET PAN, SUITABLE FOR FRONT OR TOP PRESS FLUSH PLATE INSTALLATION



NOTE : There should be no gap between the wall & cistern frame.
The wall should be made of noncompressible materials