

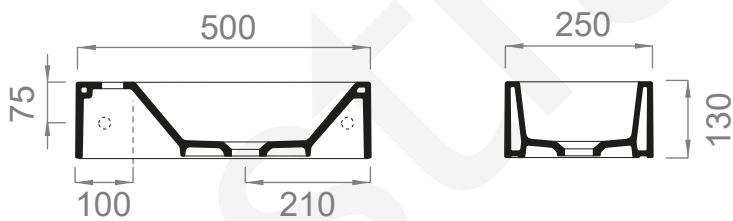
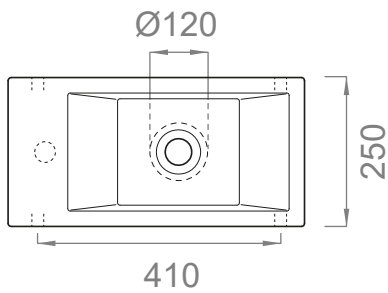
A95.90.50

BENCH MOUNTED WASHBASIN
NO OVERFLOW

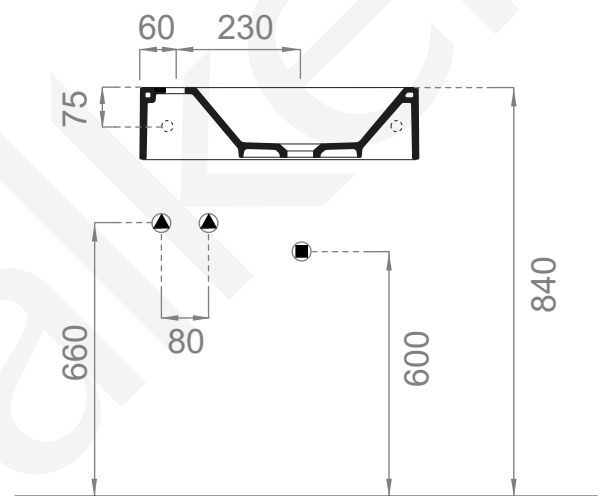
A94.90.50.0 0 TAP HOLE

A94.90.50.1 1 TAP HOLE

FURNITURE'S CUT



LEFT HAND SURFACE



RIGHT HAND SURFACE

