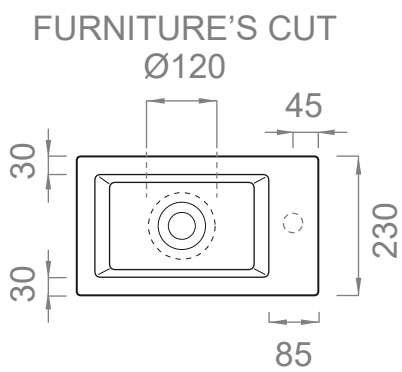


A95.90.40

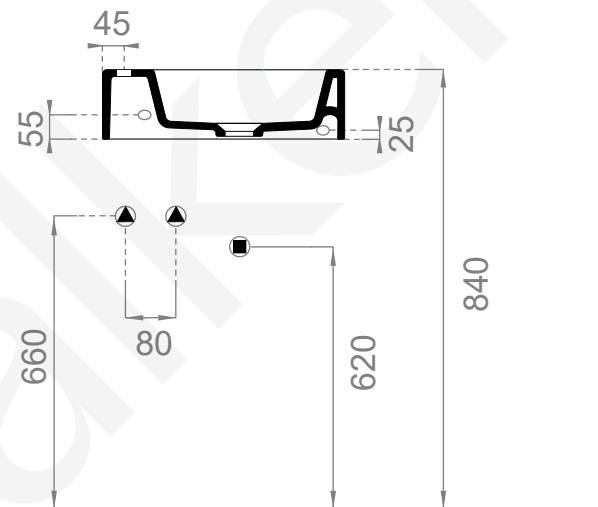
BENCH MOUNTED WASHBASIN
NO OVERFLOW

A94.90.40.0 0 TAP HOLE

A94.90.40.1 1 TAP HOLE



LEFT HAND SURFACE



RIGHT HAND SURFACE

