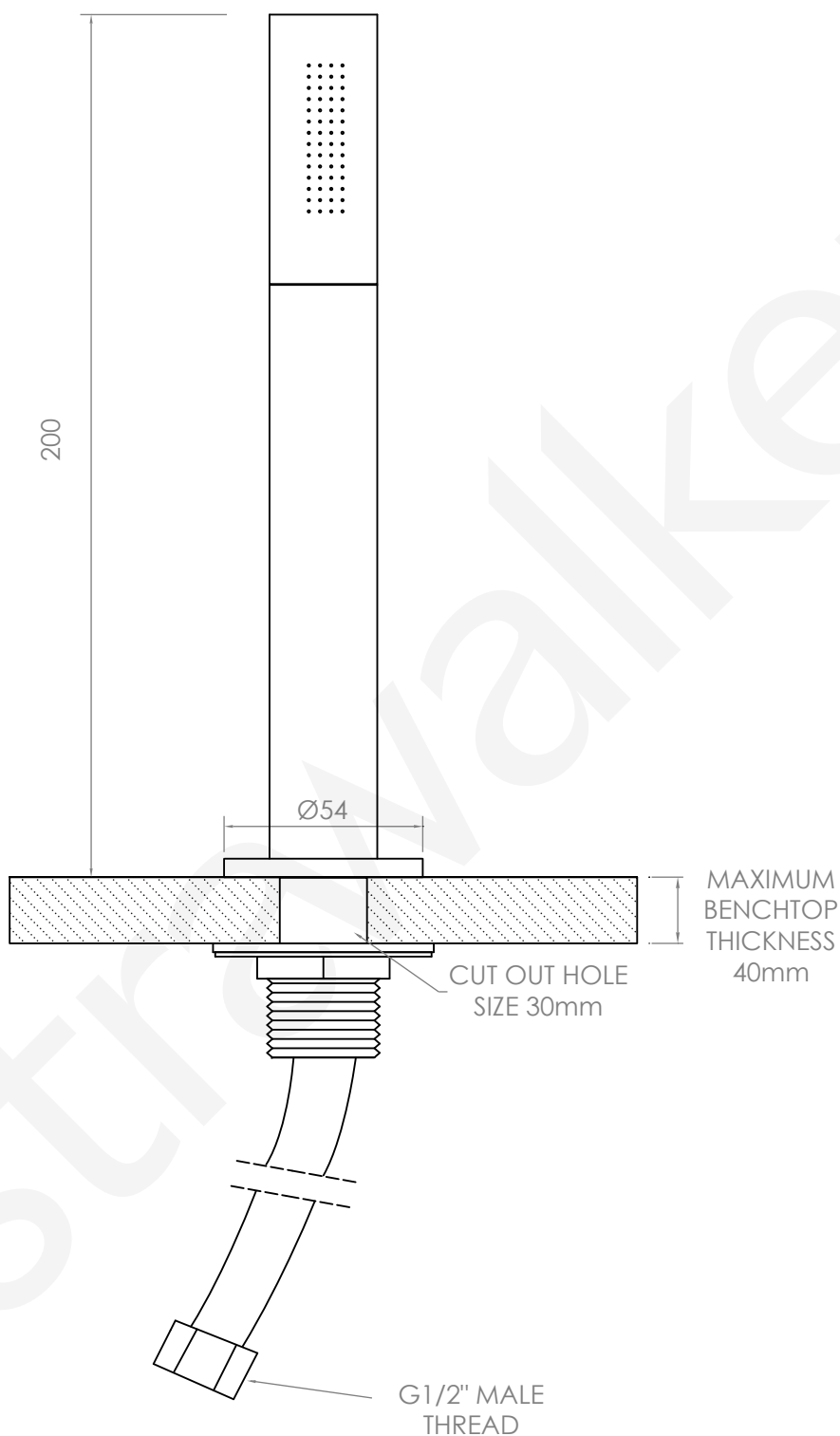


A69.42.V2

HOB MOUNTED HAND SHOWER

3 STAR/9Lpm WELS RATING



- NOTE:
- ACCESS PANEL REQUIRED
 - ENSURE UNDERNEATH OF HOB HAND SHOWER IS WATERPROOF