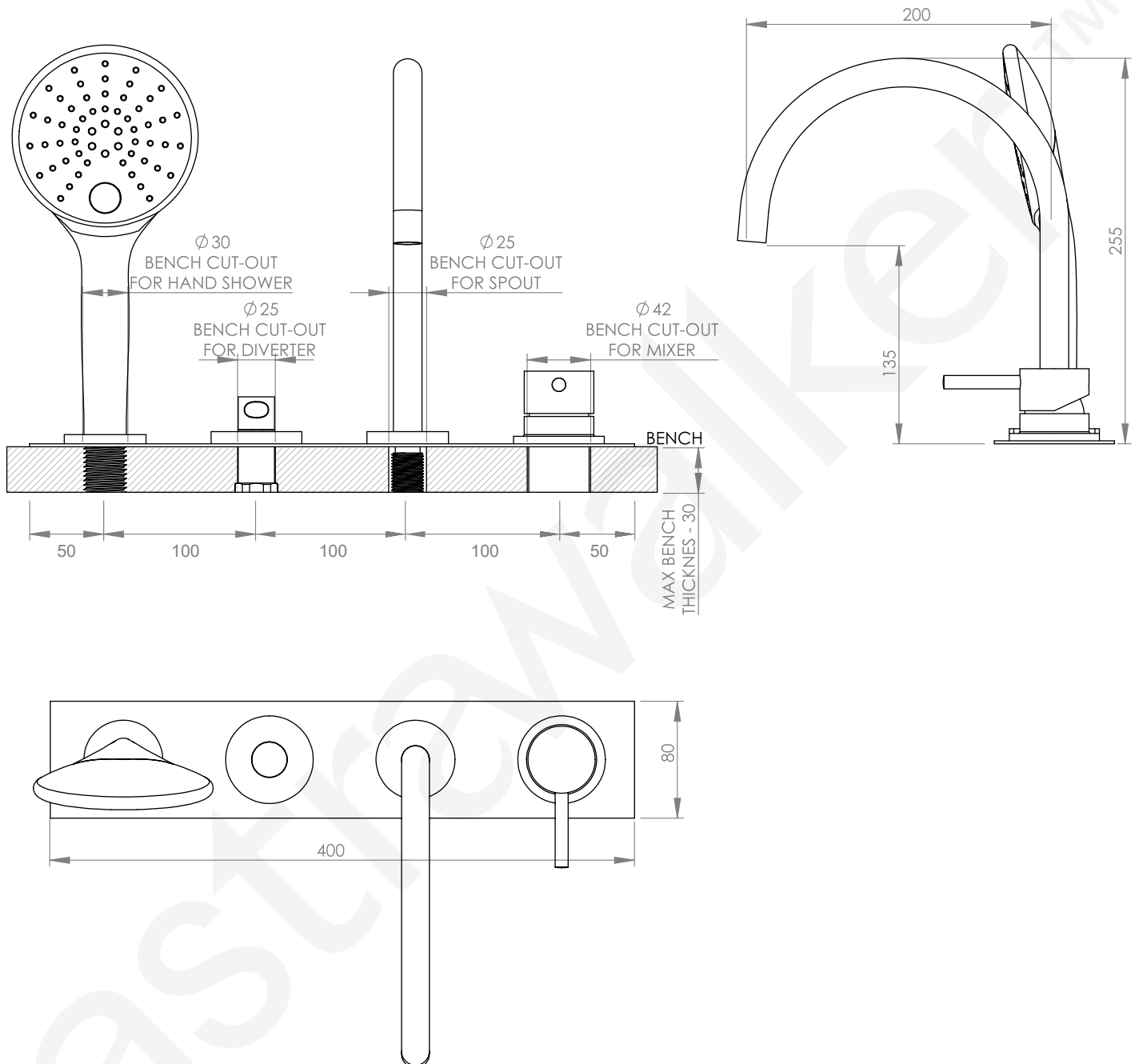


A69.07.48.42.V5**HOB SET WITH MULTI-FUNCTION HAND SHOWER, DIVERTER & MIXER**

3 STAR/9Lpm WELS RATING - HAND SHOWER ONLY



NOTE: • ACCESS PANEL REQUIRED
• ENSURE UNDERNEATH OF HOBSET IS WATERPROOF

A69.07.48.42.V5

HOB SET WITH MULTI-FUNCTION HAND SHOWER, DIVERTER & MIXER

3 STAR/9Lpm WELS RATING - HAND SHOWER ONLY

