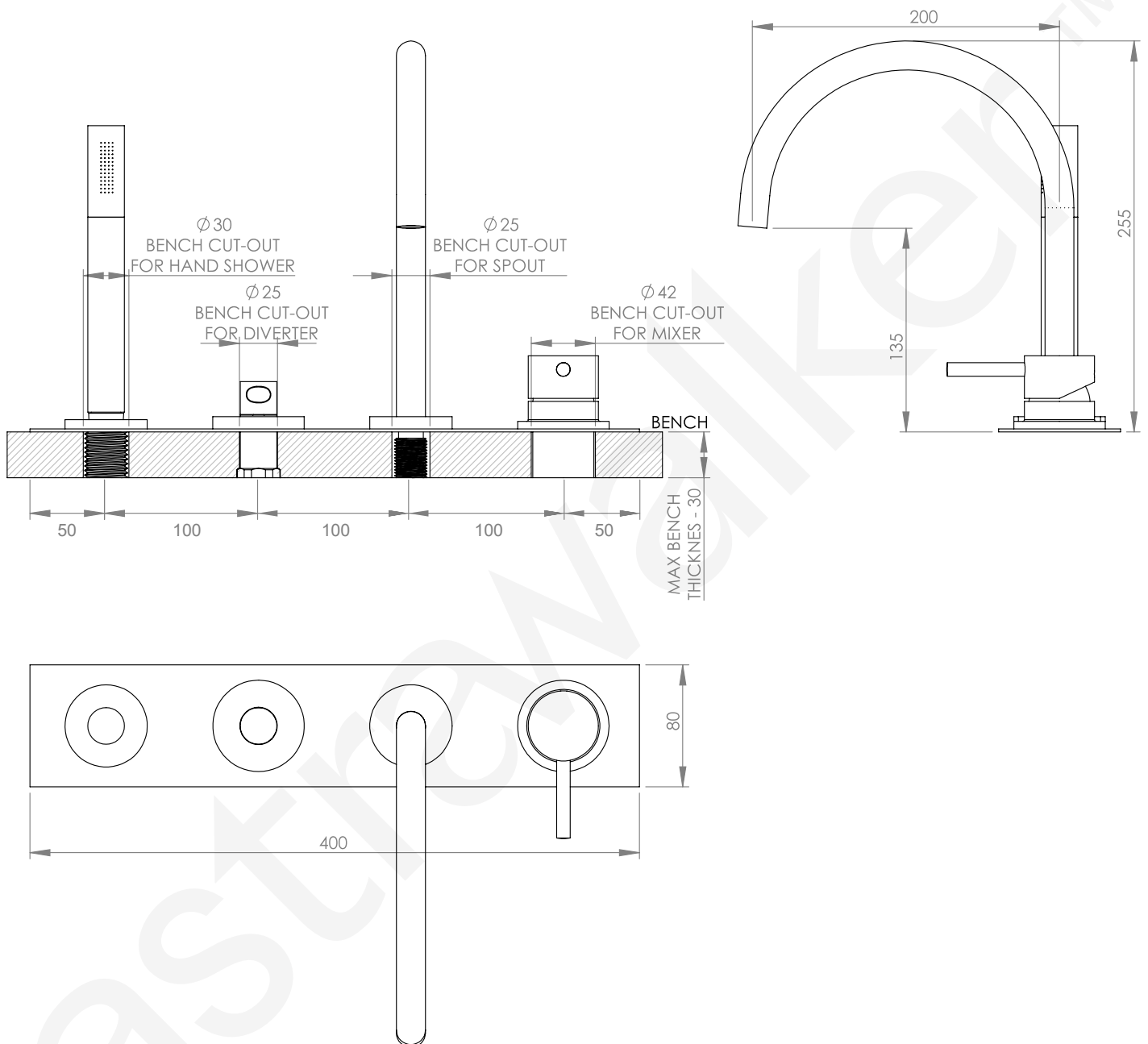


A69.07.48.42.V4

HOB SET WITH HAND SHOWER, DIVERTER & MIXER

3 STAR/9Lpm WELS RATING - HAND SHOWER ONLY



NOTE: • ACCESS PANEL REQUIRED
• ENSURE UNDERNEATH OF HOBSET IS WATERPROOF

A69.07.48.42.V4

HOB SET WITH HAND SHOWER, DIVERTER & MIXER

3 STAR/9Lpm WELS RATING - HAND SHOWER ONLY

