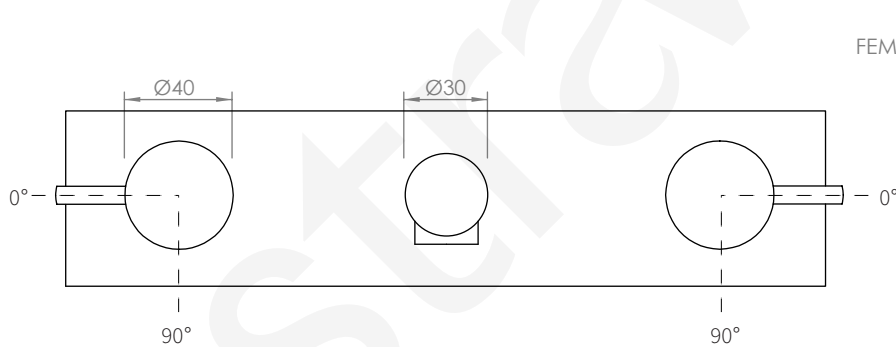
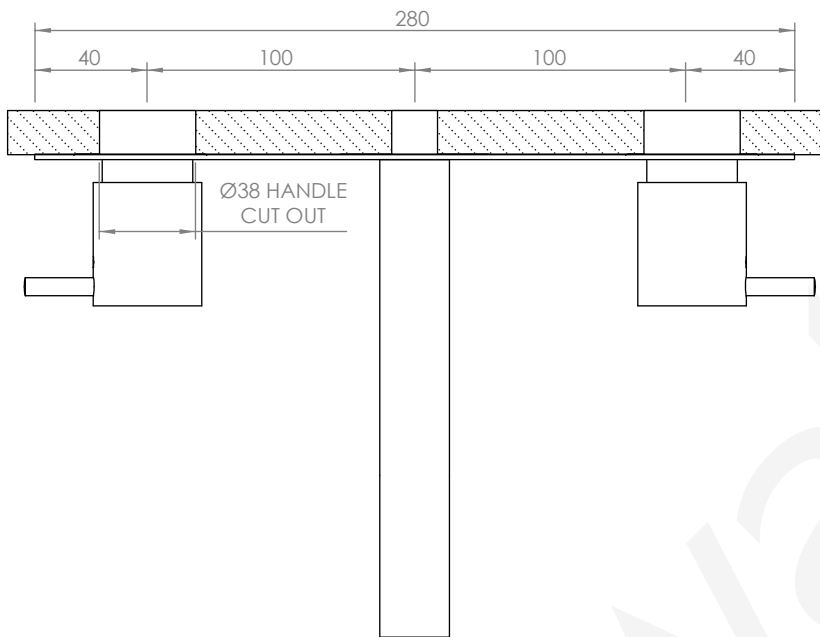


A69.05.BP.V2

WALL SET ON BACKPLATE

[Available with flow control, add **.FC** to end of code - 5 STAR/6Lpm WELS RATING]



G 1/2"
FEMALE THREAD

