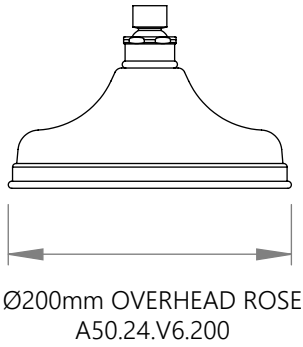


## A50.24.V6

### EXPOSED SHOWER WITH HANDPIECE

3 STAR/9Lpm WELS RATING

AVAILABLE WITH:



WATER INLET  
G 1/2" FEMALE THREAD

NOTE: ADJUSTABLE  
WALL BRACKET

